



## Guide gaine BRM

### BRM Clamps

REVISION: 00

Fam.: BRM

Page 1/1

DECRIIL SERIL . ZI de la tuilliere 01700 MIRIBEL FRANCE · Tel: +33 (0)4 72 25 83 17·

#### DESCRIPTION

- Guide gaine en acier galvanise avec une protection en elastomere
- sans halogene, phosphore et cadmium
- bonne resistance à la corrosion
- Couleur noir

#### DESCRIPTION

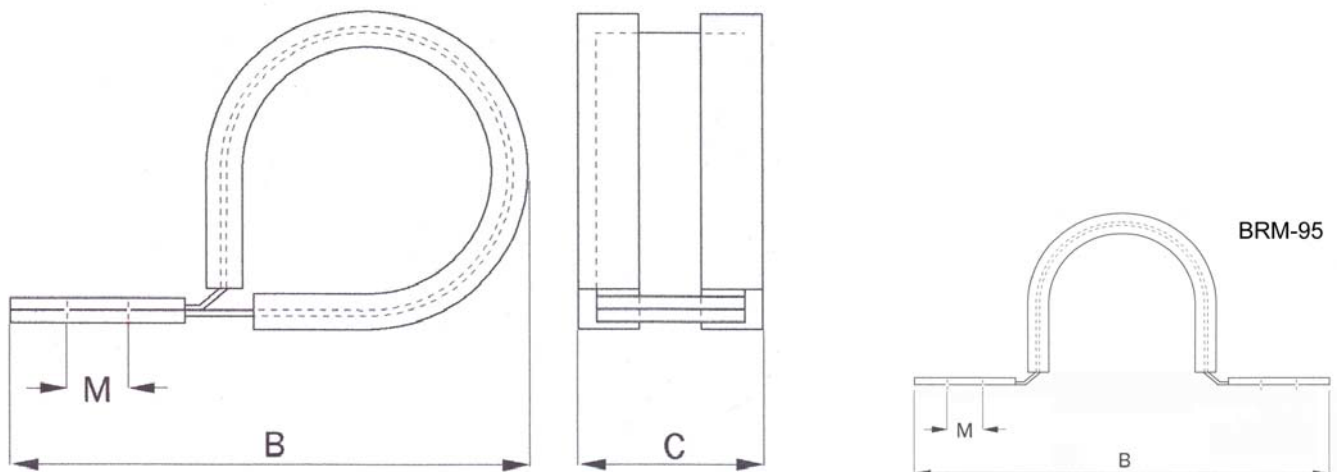
- Galvanised steel clamps with elastomer protection, for securing sections of corrugated conduits between the various parts of the electrical installation on machines.
- Halogen, phosphorus and cadmium free.
- Good resistance to atmospheric agents and corrosion.
- Black colour.

#### CARACTERISTIQUE DIMENSION /

#### DIMENSIONAL CHARACTERISTICS

Reference / Reference	DN (*)	B	C	Perçage / Bolt M	Poids / Weight g	Sachet / Packing u.
BRM-07	7	25	12	M4	6.0	50
BRM-10	10	26	12	M4	6.8	50
BRM-12	12	29	12	M4	7.6	50
BRM-17	17/18	39	16	M5	9.0	50
BRM-23	23	47	16	M5	21.4	50
BRM-29	29	60	19	M6	24.2	30
BRM-36	36	70	19	M6	29.2	20
BRM-48	48	85	19	M6	37.2	10
BRM-70	70	117	31	M10	142.6	10
BRM-95	95	155	26	M10	79.8	10

(\*) DN = Diametre nominal de la gaine / Nominal diameter of the conduit to use  
Dimensions en mm / Dimensions in mm



Information provided in this technical data sheet is considered to be true and correct at the time of publication. However, it may be changed without notice. It is the customer's obligation to determine the correct and safe selection, settings and conditions of use of the products. It is the customer's responsibility to check the delivered products and immediately notify INTERFLEX, S.A. of any detected fault. INTERFLEX, S.A. cannot be held responsible for any damage resulting from unprofessional installation, application or misuse of its products. If INTERFLEX, S.A. products are used in conjunction with non INTERFLEX, S.A. products, all product liability claims will be rejected. Visit our webpage [www.interflex.es](http://www.interflex.es) for an updated information.