



Joint Torique ORJ

ORJ O-rings

REVISION: 00

Fam.: ORJ

Page 1/1

DECRIIL SERIL ZI de la tuilliere 01700 MIRIBEL FRANCE · Tel: +33 (0)4 72 25 83 17·

DESCRIPTION

Joint torique en elastomère NBR 70 à placer dans la première rainure de la gaine avant de l'introduire dans le connecteur.
On obtient ainsi un IP68 entre le connecteur et la gaine.

DESCRIPTION

O-rings in NBR70 elastomer to be placed on the first groove at the end of INTERFLEX corrugated conduits, before pushing them into the connector, in order to obtain a degree of protection up to IP68 between the conduit and the connector.

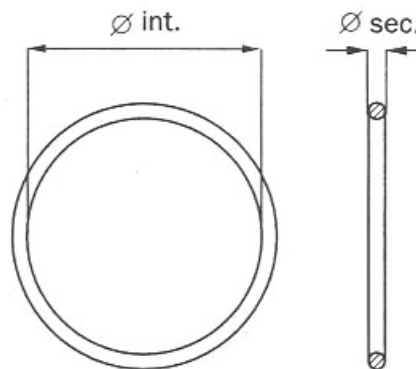
CARACTERISTIQUE DIMENSION / DIMENSIONAL CHARACTERISTICS

Reference / Reference	DN (*)	Ø int.	Ø sec.	Poids / Weight g	sachet / Packing u.
ORJ-07	7	6.35	1.3	0.05	100
ORJ-10	10	10.0	1.3	0.06	100
ORJ-12	12	11.5	1.5	0.10	100
ORJ-17	17/18	16.0	1.8	0.18	100
ORJ-23	23	22.0	2.0	0.30	50
ORJ-29	29	29.0	2.0	0.39	30
ORJ-36	36	34.0	2.3	0.56	20
ORJ-48	48	44.6	2.4	0.84	10
ORJ-70	70	70.0	4.0	3.70	5
ORJ-95	95	98.0	4.5	6.50	5


(*) DN = Diametre Nominal de la gaine / Nominal diameter of the conduit to use
Dimension en mm / Dimensions in mm

AUTRES CARACTERISTIQUES / OTHER CHARACTERISTICS

Gamme de Temperatures / Temperature Range : -30°C a/ to +100°C



Information provided in this technical data sheet is considered to be true and correct at the time of publication. However, it may be changed without notice.
It is the customer's obligation to determine the correct and safe selection, settings and conditions of use of the products. It is the customer's responsibility to check the delivered products and immediately notify INTERFLEX, S.A. of any detected fault. INTERFLEX, S.A. cannot be held responsible for any damage resulting from unprofessional installation, application or misuse of its products. If INTERFLEX, S.A. products are used in conjunction with non INTERFLEX, S.A. products, all product liability claims will be rejected.
Visit our webpage www.interflex.es for an updated information.

	Joint plat PLJ	REVISION: 01
	PLJ sealing washers	Fam.: PLJ
		Page /Page 1/1

DECRI SERIL ZI de la tuilliere 01700 MIRIBEL FRANCE · Tel: +33 (0)4 72 25 83 17·

DESCRIPTION	DESCRIPTION
<ul style="list-style-type: none"> • joint plat, sans amiante • Positionner entre l'armoire électrique et le connecteur pour l'obtention d'un IP 68 (Indice de Protection) • S'utilise conjointement avec un joint torique ORJ • Résistant à l'eau de rinçage 	<ul style="list-style-type: none"> • Die-cut sealing washers made from deformable, asbestos-free material. • Placed at the interface between housings (boxes, cabinets, etc.) and connector bases, the sealing washers allow the entry of cables with a degree of protection up to IP68. • Weather resistant in normal use conditions.

CARACTERISTIQUE DIMENSION / DIMENSIONAL CHARACTERISTICS**a) Pas metrique / Metric thread**

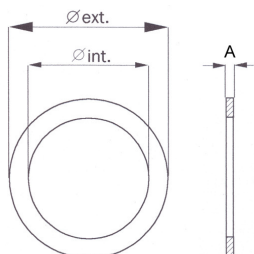
Reference / Reference	Pour le Pas / For thread	Ø int.	Ø ext.	A	Poids / Weight g	sachet de / Packing u.
PLJ-M12	M12x1.5	12.0	18	1.5	0.32	100
PLJ-M16	M16x1.5	16.0	22	1.5	0.42	100
PLJ-M20	M20x1.5	20.0	27	1.5	0.62	100
PLJ-M25	M25x1.5	25.0	35	1.5	1.25	50
PLJ-M32	M32x1.5	32.0	43	1.5	1.63	30
PLJ-M40	M40x1.5	40.0	55	1.5	2.93	20
PLJ-M50	M50x1.5	50.0	69	1.5	4.75	10
PLJ-M63	M63x1.5	63.0	82	1.5	3.34	10

b) Pas PG / PG thread


Reference / Reference	Pour le Pas / For thread	Ø int.	Ø ext.	A	Poids / Weight g	sachet de / Packing u.
PLJ-P07	Pg 7	12.4	18	1.5	0.36	100
PLJ-P09	Pg 9	15.2	21	1.5	0.44	100
PLJ-P11	Pg 11	18.6	26	1.5	0.70	100
PLJ-P13	Pg 13.5	20.4	29	1.5	0.64	100
PLJ-P16	Pg 16	22.5	33	1.5	1.24	100
PLJ-P21	Pg 21	28.3	39	1.5	1.56	50
PLJ-P29	Pg 29	37.0	49	1.5	2.23	30
PLJ-P36	Pg 36	47.0	59	1.5	1.18	20
PLJ-P48	Pg 48	59.3	71	1.5	2.56	10

AUTRES CARACTERISTIQUES / OTHER CHARACTERISTICS

Gamme de Temperature /Temperature Range: -40°C alto +200°C



Information provided in this technical data sheet is considered to be true and correct at the time of publication. However, it may be changed without notice. It is the customer's obligation to determine the correct and safe selection, settings and conditions of use of the products. It is the customer's responsibility to check the delivered products and immediately notify INTERFLEX, S.A. of any detected fault. INTERFLEX, S.A. cannot be held responsible for any damage resulting from unprofessional installation, application or misuse of its products. If INTERFLEX, S.A. products are used in conjunction with non INTERFLEX, S.A. products, all product liability claims will be rejected. Visit our webpage www.interflex.es for an updated information.

	Joint torique TTJ	REVISION: 01
	TTJ O-rings	Fam.: TTJ
		Page 1/1

DECRIIL SERIL ZI de la tuilliere 01700 MIRIBEL FRANCE · Tel: +33 (0)4 72 25 83 17·

DESCRIPTION Joint torique en elastomère NBR 70 à placer dans la rainure de la gaine avant de l'introduire dans le connecteur type GTR ou GTC titan. On obtient ainsi un IP68 entre le connecteur et la gaine.	DESCRIPTION O-rings in NBR70 elastomer to be placed on Titan connectors base groove in order to obtain a degree of protection up to IP68.
---	---

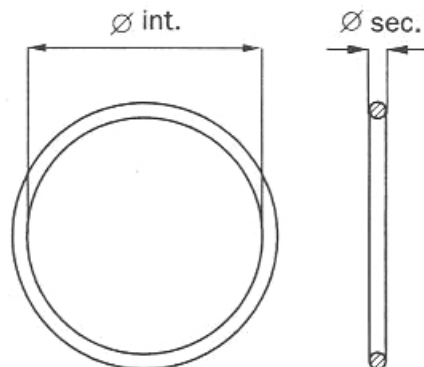
CARACTERISTIQUE DIMENSION / DIMENSIONAL CHARACTERISTICS



Reference / Reference	Type connecteur For connector	∅ int.	∅ sec.	Poids / Weight g	sachet de / Packing u.
TTJ-70	GTR-70, GTC-70	90	2.5	1.8	5
TTJ-95	GTR-95, GTC-95	117	2.5	2.2	5

Dimension en mm / Dimensions in mm


AUTRE CARACTERISTIQUE / OTHER CHARACTERISTICS

Gamme de Temperatures / Temperature Range: -30°C a/to +100°C



Certifications / Certifications	
	CE
	RoHS compliant

Information provided in this technical data sheet is considered to be true and correct at the time of publication. However, it may be changed without notice. It is the customer's obligation to determine the correct and safe selection, settings and conditions of use of the products. It is the customer's responsibility to check the delivered products and immediately notify INTERFLEX, S.A. of any detected fault. INTERFLEX, S.A. cannot be held responsible for any damage resulting from unprofessional installation, application or misuse of its products. If INTERFLEX, S.A. products are used in conjunction with non INTERFLEX, S.A. products, all product liability claims will be rejected. Visit our webpage www.interflex.es for an updated information.

	Joint torique BTJ	REVISION: 00
	BTJ O-rings	Fam.: BTJ
		Page 1/1

DECRIIL SERIL ZI de la tuilliere 01700 MIRIBEL FRANCE · Tel: +33 (0)4 72 25 83 17·

DESCRIPTION Joint torique en e s omère N R 70 à placer dans la première rainure de la gaine avant de l'introduire dans le connecteur. On obtient ainsi un IP68 entre le connecteur et la gaine.	DESCRIPTION O-rings in NBR70 elastomer to be placed on the base of BTC 90° elbow flange connectors in order to obtain a degree of protection up to IP68 between the base of the connector and the wall where it is installed.
--	---

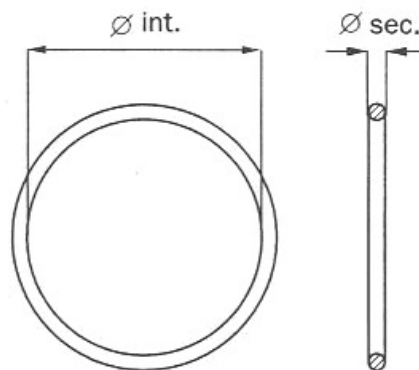
CARACTERISTIQUES DIMENSION / DIMENSIONAL CHARACTERISTICS

Reference / Reference	Pour connecteur / connector	Ø int.	Ø sec.	Poids / Weight g	sachet / Packing u.
BTJ-17	BTC-17..	32.0	2.5	0.66	50
BTJ-23	BTC-23..	41.0	2.5	0.84	30
BTJ-29	BTC-29..	51.0	2.5	1.02	10
BTJ-36	BTC-36..	60.0	2.5	1.34	10
BTJ-48	BTC-48..	66.0	2.5	1.44	5

Dimension en mm / Dimensions in mm

AUTRES CARACTERISTIQUES / OTHER CHARACTERISTICS

Gamme de Temperatures / Temperature Range to -30°C a/+100°C



Information provided in this technical data sheet is considered to be true and correct at the time of publication. However, it may be changed without notice.
It is the customer's obligation to determine the correct and safe selection, settings and conditions of use of the products. It is the customer's responsibility to check the delivered products and immediately notify INTERFLEX, S.A. of any detected fault. INTERFLEX, S.A. cannot be held responsible for any damage resulting from unprofessional installation, application or misuse of its products. If INTERFLEX, S.A. products are used in conjunction with non INTERFLEX, S.A. products, all product liability claims will be rejected.
Visit our webpage www.interflex.es for an updated information.